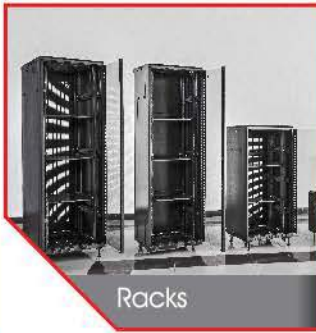




Distribution Boards



Cells



Racks



Floor Boxes



Flush Mounting Steel Box



Weather Proof



Indoor Lighting Fixtures



Outdoor Lighting Fixtures



ANNCO





ANNCO for Electric and Electronic Industries is a limited liability stock company incorporated in 2001, We have over 15 years of experience in the engineering and manufacturing of low voltage switchboard assemblies, starter panels, data racks, floor cavity boxes, indoor and outdoor lighting fixtures. Our factory is located at the 10th of Ramadan Industrial City, Egypt.

ANNCO offers products to support a wide range of commercial facilities and construction projects including commercial, industrial and residential.

We provide a total service with expert technical support. Our production facility can supply all types of electrical switchboards throughout Egypt as well as overseas.

Throughout the years, **ANNCO** has been upgrading its production line with more sophisticated machinery to guarantee our customers the best quality products.

Our Objective

Our objective is to become the leading manufacturers of low voltage switchgear in one of the most competitive markets in the world.

Our Goal

Customer satisfaction is the ultimate goal of our company.

Mission Statement

We are committed to provide our products at the right time at the right place with the best price and with zero tolerance.

Vision Statement

To be referred as the most favorable company in the electrical switchgear manufacturing in our industry.

Our Achievements

The principles and standards of **ANNCO** has made the company one of the most reputed manufacturing organizations in Egypt and we are able to satisfy all our client's needs who are based locally or internationally.

ANNCO is an Authorized **LEGRAND** Premium Panel Builder Partner, with a license agreement to manufacture Type Tested Panels up to 6300A.

Projects

The Grand Egyptian Museum
Egyptian Ministry of Communications
The Egyptian New Capital Project
Al Azhar Park
Soad Kafafy Hospital, Misr University for Science and Technology
Mahmoud Khalil Museum
Factory Ehab Faltas for Paints
Gayed Texile Factory
Egyptian Co. for Raw Material and Mining Industries



Manufacturing Floor



CNC Servo Electric Torrent Punch



CNC Servo Electric Torrent Punch



Foaming Gasket CNC Machine



Welding



Electrostatic Powder Coating



Electrostatic Powder Coating



Bending



Custom Made Panels



Custom Made Panels



Custom Made Panels



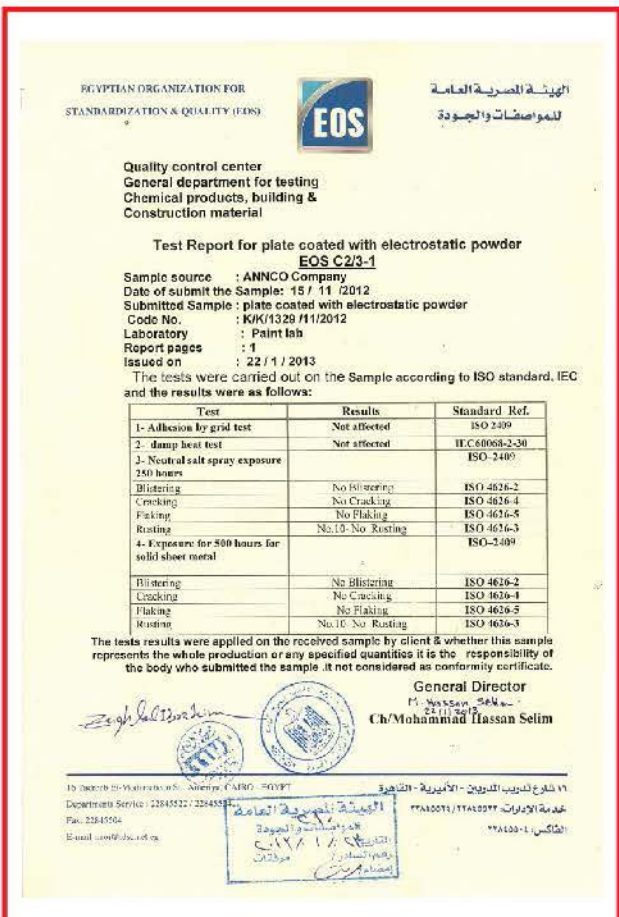
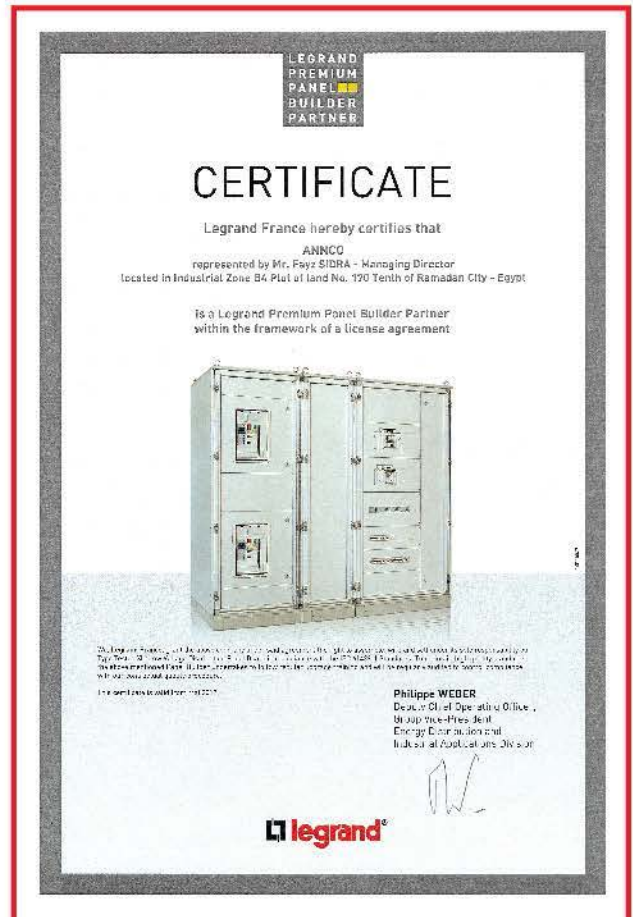
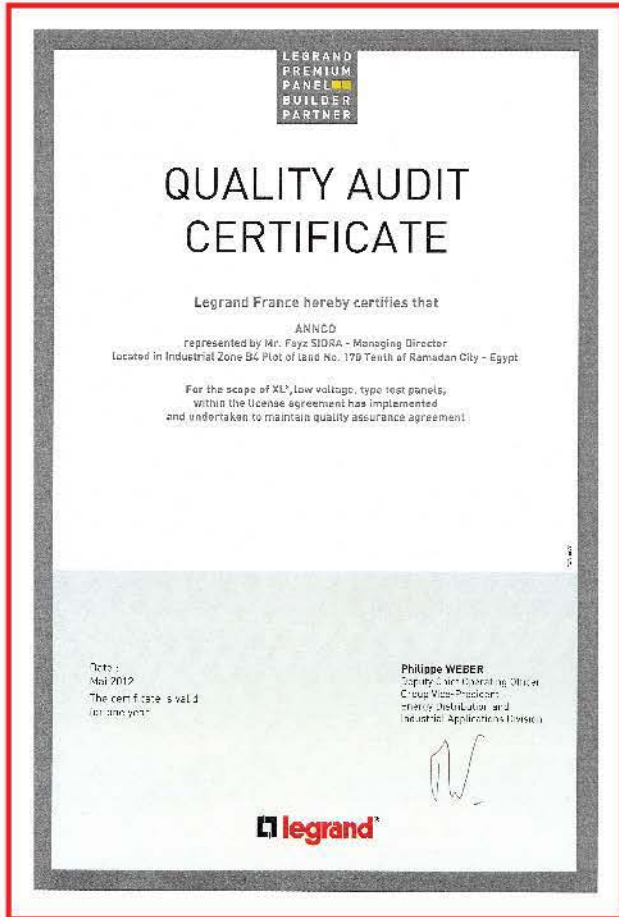
Custom Made Panels



Custom Made Panels

	 مركز تكنولوجيا الصناعات الهندسية Engineering Industries Technology Center	 وزارة التجارة والصناعة Ministry of Trade & Industry
شهادة اعتماد وصلاحية		
<p>يشهد مركز تكنولوجيا الصناعات الهندسية بوزارة التجارة والصناعة بأنه طبقا للتعاقد المبرم بين المركز و " شركة انكو للصناعات الكهربائية والإلكترونية" المنطقة الصناعية B4 العاشر من رمضان . التي تم مراجعة الرسومات الهندسية التصميمية والتفصيلية لها لزوم تصنيع وتجميع "لوحات توزيع كهرباء بمقاسات مختلفة" وأن هذه الرسومات تم اعتمادها بمعرفتنا وهي مقبولة فنيا والتي تم إنتاجها بمعرفة الشركة طبقا للرسومات الهندسية المعتمدة منا والمسلمة لها وبالمراجعة تبين أنها مطابقة لهذه الرسومات من حيث الأبعاد الرئيسية ووجدت مطابقة وفي حدود المسموح بها وفي حدود الدقة الهندسية المسموح بها وإنها مقبولة فنيا - كما أنه تم اختبار هذه العينة المقدمة بمعرفة الشركة ولدى الشركة عند ظروف عدم التحميل والحمل الكامل علما بأن العينة المقدمة لا تمثل إلا نفسها وهذه شهادة منا بذلك.</p>		
Engineering Product Design Certificate		
<p>EITC that belongs to Ministry of Trade and Industry and in partnership with Meccano Group - Italy certifies that the product of "ANCO FOR ELECTRICAL & ELECTRONIC INDUSTRIES" has been reviewed as per the engineering design drawing and has been tested loaded and unloaded as per company testing system in house and all the results were satisfactory. This refers only to the product sample itself.</p>		
الاعتماد		
<p>مدير المجموعة الإيطالية Verified : Mr. Domenico Pettinato</p> <p>Signature- </p> <p>Certificate number: C029/10/85/01 مراجعة الصناعات :</p>		<p>المدير التنفيذي للمركز Approved by: Eng. Mohamed El Enaky</p> <p>Signature- </p> <p>Issue date: 15/7/2010</p>

	 مركز تكنولوجيا الصناعات الهندسية Engineering Industries Technology Center	 وزارة التجارة والصناعة Ministry of Trade & Industry
شهادة اعتماد وصلاحية		
<p>يشهد مركز تكنولوجيا الصناعات الهندسية بوزارة التجارة والصناعة بأنه طبقا للتعاقد المبرم بين المركز و " شركة انكو للصناعات الكهربائية والإلكترونية" المنطقة الصناعية B4 العاشر من رمضان . التي تم مراجعة الرسومات الهندسية التصميمية والتفصيلية لها لزوم تصنيع وتجميع "بولارد (كشافات حدائق)" وأن هذه الرسومات تم اعتمادها بمعرفتنا وهي مقبولة فنيا والتي تم إنتاجها بمعرفة الشركة طبقا للرسومات الهندسية المعتمدة منا والمسلمة لها وبالمراجعة تبين أنها مطابقة لهذه الرسومات من حيث الأبعاد الرئيسية ووجدت مطابقة وفي حدود المسموح بها وفي حدود الدقة الهندسية المسموح بها وإنها مقبولة فنيا - كما أنه تم اختبار هذه العينة المقدمة بمعرفة الشركة ولدى الشركة عند ظروف عدم التحميل والحمل الكامل علما بأن العينة المقدمة لا تمثل إلا نفسها وهذه شهادة منا بذلك.</p>		
Engineering Product Design Certificate		
<p>EITC that belongs to Ministry of Trade and Industry and in partnership with Meccano Group - Italy certifies that the product of "ANCO FOR ELECTRICAL & ELECTRONIC INDUSTRIES" has been reviewed as per the engineering design drawing and has been tested loaded and unloaded as per company testing system in house and all the results were satisfactory. This refers only to the product sample itself.</p>		
الاعتماد		
<p>مدير المجموعة الإيطالية Verified : Mr. Domenico Pettinato</p> <p>Signature- </p> <p>Certificate number: C029/10/85/02 مراجعة الصناعات :</p>		<p>المدير التنفيذي للمركز Approved by: Eng. Mohamed El Enaky</p> <p>Signature- </p> <p>Issue date: 28/7/2010</p>



Distribution Boards

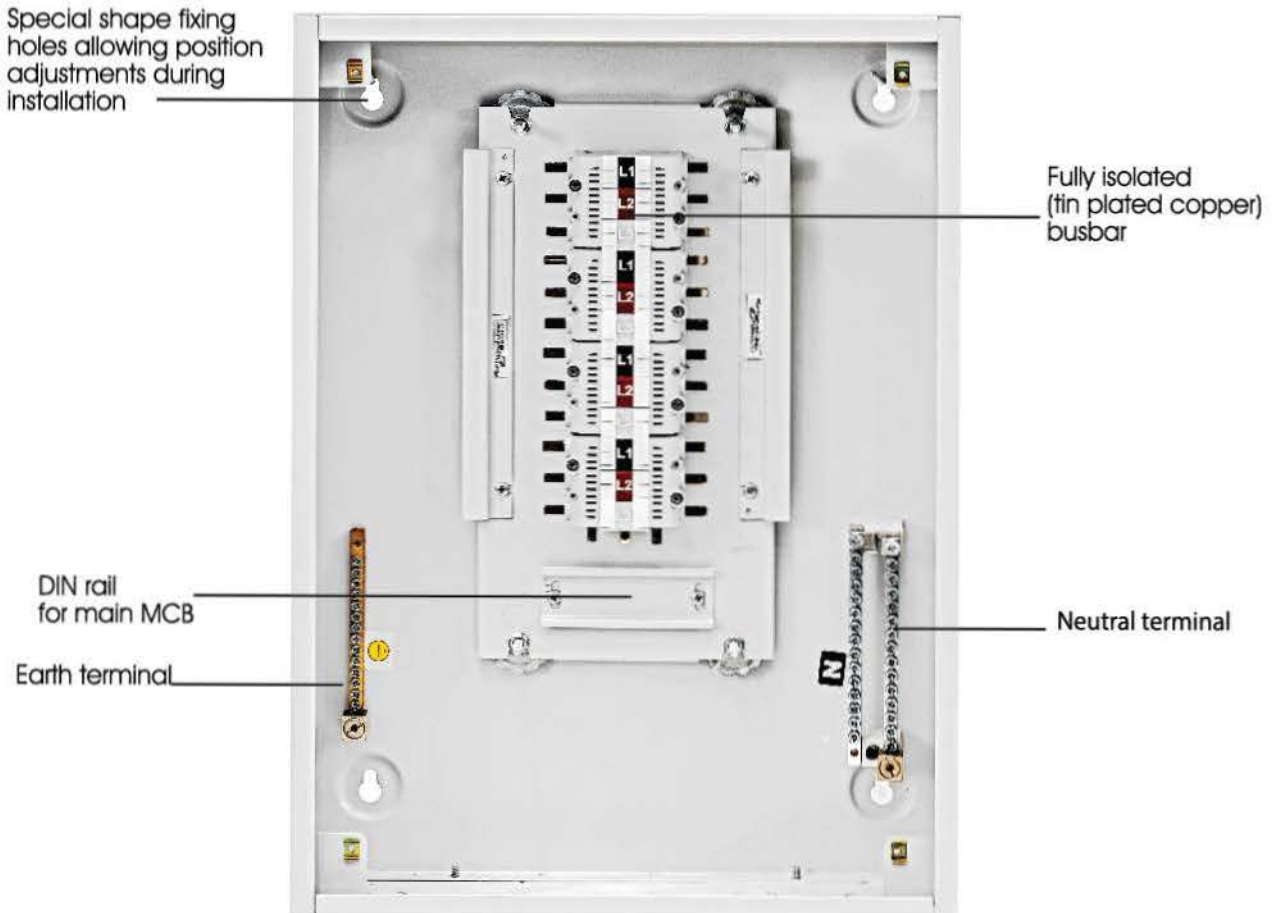


Complete ready to use distribution boards

Specially designed for the residential sector, the new **ANNCO** range of distribution boards can be installed in individual houses, villas or blocks of flats. With their sophisticated design and neutral colour they blend in discreetly in all types of contemporary interiors.



Special shape fixing holes allowing position adjustments during installation



ANNCO boards have been designed to save time and make installation as easy as possible, making it ideal for the residential market, which is particularly competitive.



Height adjustment under the circuit breaker fixing plate

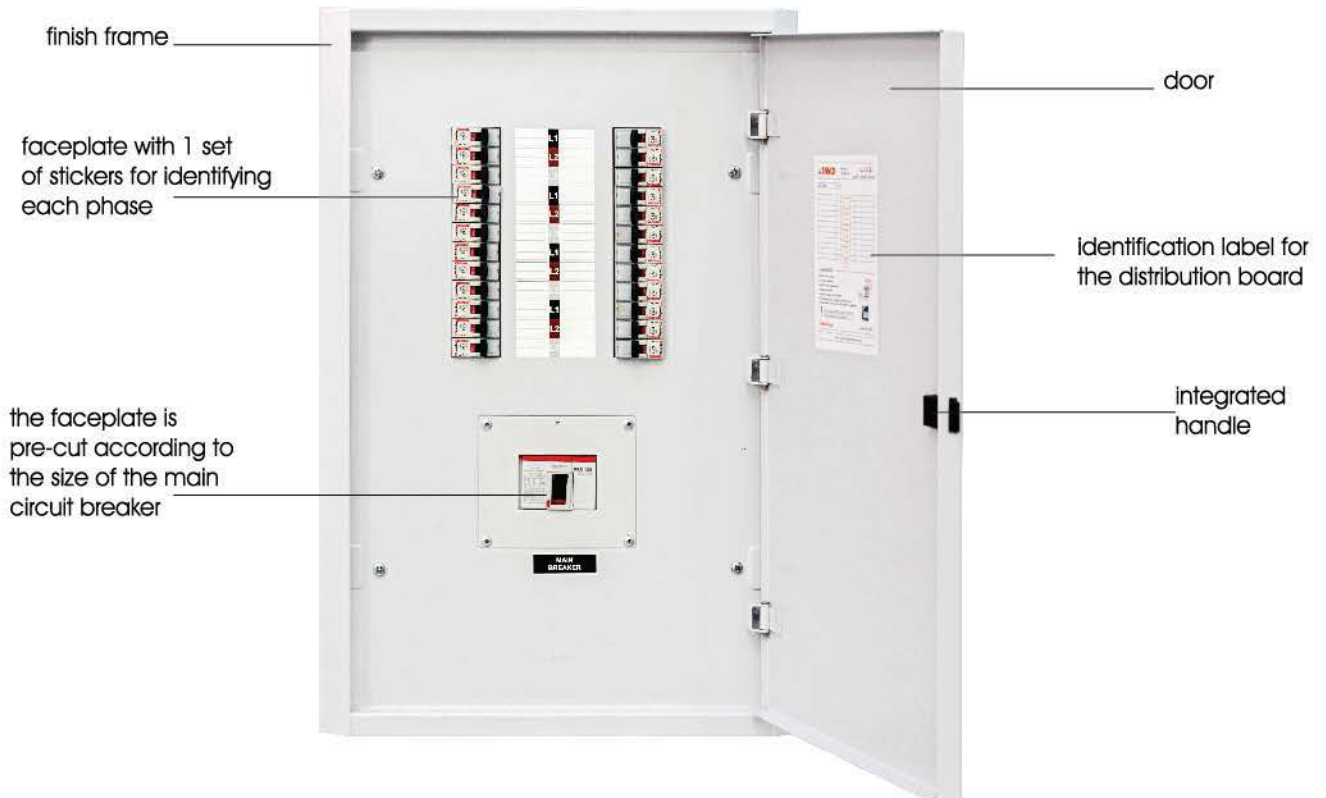
Neutral terminal block with high-capacity terminal

Earth terminal block. Same number of connections as the number of outgoing terminals on the board

Coloured labels to identify each phase on the busbar and on the faceplate

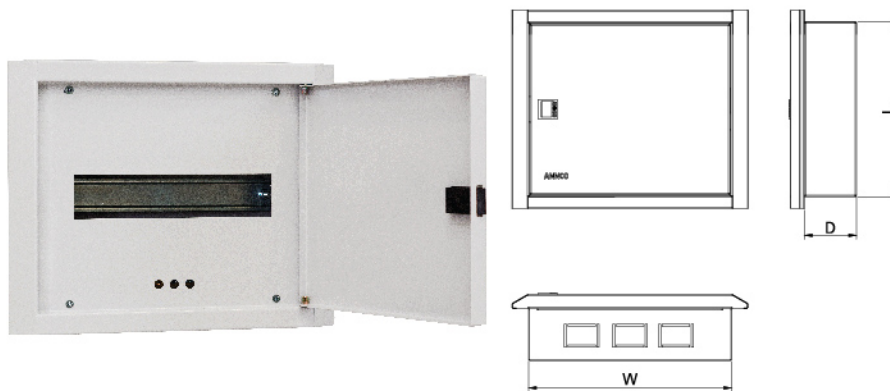
High quality and strength

ANNCO has always been committed to complying with standards to ensure optimum safety on sites, and ensures its products all incorporate the high quality, strength, reliability and immaculate finish for which the brand is renowned.



Horizontal Metal Distribution Cabinets

Code	Description	External Dimension (L x W x D) mm
5512	12 Lines Panel (one row horizontal)	240x320x80
5513	18 Lines Panel (horizontal)	360x260x80
5514	24 Lines Panel (horizontal)	360x320x80
5515	36 Lines Panel (horizontal)	480x320x80
5516	48 Lines Panel (horizontal)	600x320x80



All our products can be made to order as Per **your REQUIREMENTS and your SPECIFICATIONS**, dimensions sides, appearance, finish Perforations or any other requirement.

Steel enclosure switchboards are intended for the distribution of energy in electric systems, within the domestic and service sector environments. both wall and flush mounting versions are available, offering different degrees of protection and sizes. Made of high quality materials, these enclosures have extremely good resistances and weather conditions: Painted with electrostatic powder coating – Grey RAL 7035



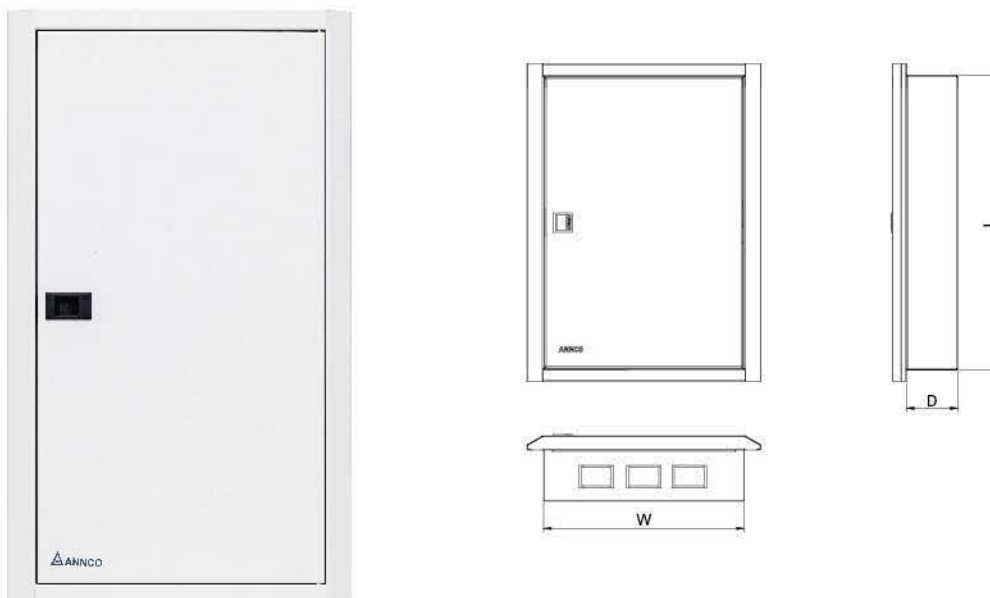
Vertical Distribution Cabinets

Steel enclosure switchboards are intended for the distribution of energy in electric systems, within the domestic and service sector environments. Both wall and flush mounting versions are available, offering different degrees of protection and sizes. Made of high quality materials, these enclosures have extremely good resistances and weather conditions:

Painted with electrostatic powder coating color RAL 7035



Code	Description	External Dimension (L x W x D) mm
5712	12 Lines Panel + Main UP-TO 100 A (vertical)	360x320x80
5718	18 Lines Panel + Main UP-TO 100 A (vertical)	400x290x80
5724	24 Lines Panel + Main UP-TO 100 A (vertical)	460x320x80
5736	36 Lines Panel + Main UP-TO 100 A (vertical)	560x320x80
5748	48 Lines Panel + Main UP-TO 100 A (vertical)	670x320x80
5760	60 Lines Panel + Main UP-TO 100 A (vertical)	770x320x80



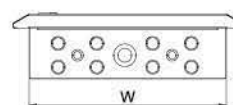
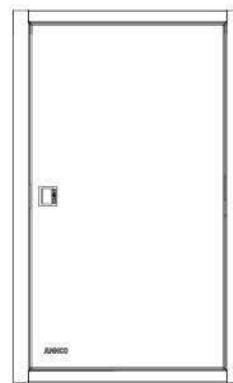
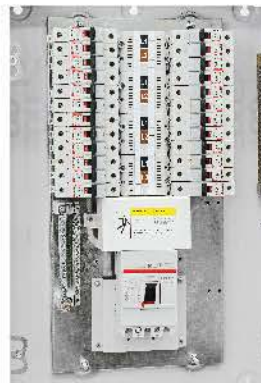
Vertical Distribution Cabinets Complete With Bus Bar

An optimised range
Simple choice according
to the type and rating of
the circuit breaker and
number of outgoing
terminals

Available in 2 versions according to the main
circuit breaker,
the new range represents a very competitive
advantage on residential sites, the boards are
ready to use, with pre-fitted doors, faceplate,
distribution system, connection terminals,
neutral and earth terminal blocks and fixing
device for the main circuit breaker.



Code	Description	External Dimension (L x W x D) mm
DP 5912V	12 Lines Panel+Main MCB UP-TO 63A	400x280x100
DP 5918V	18 Lines Panel+Main MCB UP-TO 63A	455x380x100
DP 5924V	24 Lines Panel+Main MCB UP-TO 63A	510x380x100
DP 5936V	36 Lines Panel+Main MCB UP-TO 63A	620x380x100



Easy
implementation
using smart fixing kits

The new range of **ANNCO** enclosures provide the convenience of a comprehensive range with a minimum of catalogue numbers to meet the efficiency needs of any professional.

Ideal for both commercial and residential environments, they are easy to use combining easy assembly with great configuration flexibility thanks to their fixing kits and modular fittings: MCBs up to 63A and 100A or 250A MCCBs.

ANNCO Load centers are arranged for three phase incoming supply and outgoing circuits utilizing MCB up to 100A with 6KA/10KA breaking capacity .

Distribution panels are factory assembled with busbar system having short time withstand current of 10 KA and can accommodate SP,DP,&TP MCBs. Ample cabling space is provided. Load centers are complete with front covers and door. Both surface and flush mounting designs are available in the range.

Special Features :

The completely detachable chassis contains all components including neutral and earth bars. It is fixed inside the box with four extended studs having star-nuts provided for the adjustment of its depth. The empty enclosure can then be installed easily. This feature avoids the possibility of damaging interior during construction.

*Choice of incomers isolators, MCB,MCCBs are interchangeable .

*Door is flush with the cover

Standards:

Service voltage :415/240 50/60 HZ

Rated insulation : 600 VAC

Construction:

ANNCO Load centers are made from high quality cold rolled sheet of thickness 1.2 mm. Top and bottom of the boxes are provided with knockout of 20/25mm for outgoing cables and a38/50 mm knockout at the centre for the incoming cable. This facility enables it to be used for top and bottom cable entry. The doors can be locked to cover all devices to prevent unwanted access.

Surface finish:

The surface of the **ANNCO** distribution boards are pretreated with zinc phosphate and protected both internally and externally with polyester powder coating.

The color is normally RAL 7035 texture.(any special color is available on request).

Optional:

- *Incomer padlocking device.
- *Locking facility for doors.
- *Removable gland plates with or without knockouts.
- *Special boards incorporating contactors ,timers , instruments and RCDs etc.
- *Standard Distribution board with incoming MCCBs are produced with 3 pole arrangements.

Application:

- *Designed to meet a vast variety of application for distributing power in the final distribution system for domestic/ commercial, indoor use such as residential flats / shops/ office blocks etc

Busbar:

- *Tinned copper for low impedance connections and current rating of 250A.
- *Totally encapsulated busbar assembly.

Range:

- *A wide range is available to satisfy the needs of most consultants, contractors and end users. Available in 8 sizes with the choice of 18,24,30,36,42,48,54 and 60 of outgoing MCBs & MCCBs

Choice of incomers:

- *MCBs 3P up to 100A or MCCBs 3p to 250A achieved by changing a special cover Plate provided with the panel

Outgoing breakers:

- Flexibility allows various configuration on outgoing ways such as SP, DP &TP MCBs up to 100 A

Degree of protection:

- *Designed for optimum safety and simple to install.

Code	Description	External Dimension (L x W x D) mm
DP 5812V	12 Lines Panel+Main MCCB UP-TO 200A	530x400x90
DP 5818V	18 Lines Panel+Main MCCB UP-TO 200A	585x400x90
DP 5824V	24 Lines Panel+Main MCCB UP-TO 200A	640x400x90
DP 5830V	30 Lines Panel+Main MCCB UP-TO 200A	595x400x90
DP 5836V	36 Lines Panel+Main MCCB UP-TO 200A	750x400x90
DP 5842V	42 Lines Panel+Main MCCB UP-TO 200A	805x400x90
DP 5848V	48 Lines Panel+Main MCCB UP-TO 200A	860x400x90
DP 5854V	54 Lines Panel+Main MCCB UP-TO 200A	915x400x90
DP 5860V	60 Lines Panel+Main MCCB UP-TO 200A	970x400x90

Vertical Distribution Cabinets With Meter

Aesthetics with a modern design

An impeccable finish for this new custom made range of distribution boards with the possibility to install either a single or 3-phase meter, made entirely of metal, they combine smooth corners with easier handling thanks to the easier cable access using the pre-cut knockouts for cable entry.



Code	Description	External Dimension (L x W x D) mm
5612-1	12 Lines Panel H. + Counter Single – Phase	420x320x80
5612-3	18 Lines Panel + Main UP-TO 100 A (vertical)	500x320x80
5618-1	18 Lines Panel H. + Counter Single – Phase	540x260x80
5618-3	18 Lines Panel H. + Counter Three – Phase	620x320x80
5624-1	24 Lines Panel H. + Counter Single – Phase	540x320x80
5624-3	24 Lines Panel H. + Counter Three – Phase	620x320x80
5636-1	36 Lines Panel H. + Counter Single – Phase	660x320x80
5636-3	36 Lines Panel H. + Counter Three – Phase	740x320x80

Metal Counter Boxes

Metal counter boxes

Ideal for individual houses, villas, or flats.
Painted with electrostatic powder coating
color RAL 7035

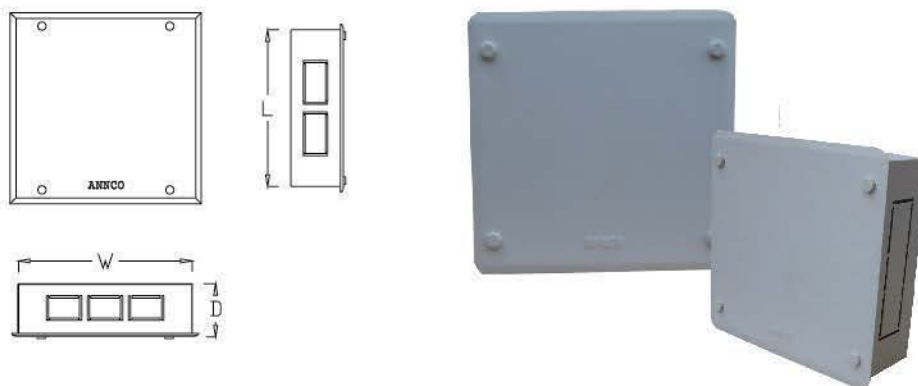


Code	Description	External Dimension (L x W x D) mm
5101 E	Counter Electronic Single - Phase Box+M	300x230x80
5102 E	Counter Electronic Three - Phase Box+M	350x320x80

Metal Junction Boxes with Cover

Junction and
connecting boxes

For upright sealable deep lid
Painted with electrostatic
powder coating – Grey RAL 7035



Code	Description	External Dimension (L x W x D) mm
5201	Box Size 150x200x90 mm	150x200x90
5202	Box Size 250x250x90 mm	250x250x90
5203	Box Size 250x300x90 mm	250x300x90
5204	Box Size 300x300x90 mm	300x300x90

Metal Junction Boxes With Plastic Lock

Junction and connecting boxes

For upright sealable deep lid.
Painted with electrostatic powder coating light Grey RAL 7035



Code	Description	External Dimension (LxWxD) mm
5301	Box Size 250x250x100 mm	250x250x100
5302	Box Size 250x300x100 mm	250x300x100
5303	Box Size 300x300x100 mm	300x300x100
5304	Box Size 400x300x100 mm	400x300x100
5305	Box Size 400x400x100 mm	400x400x100

Metal Junction Boxes With Key



Code	Description	External Dimension (LxWxD) mm
5401	Box Size 250x250x100 mm	250x250x100
5402	Box Size 250x300x100 mm	250x300x100
5403	Box Size 300x300x100 mm	300x300x100
5404	Box Size 400x300x100 mm	400x300x100
5405	Box Size 400x400x100 mm	400x400x100
5406	Box Size 300x500x100 mm (Two doors)	300x500x100
5407	Box Size 300x600x100 mm (Two doors)	300x600x100

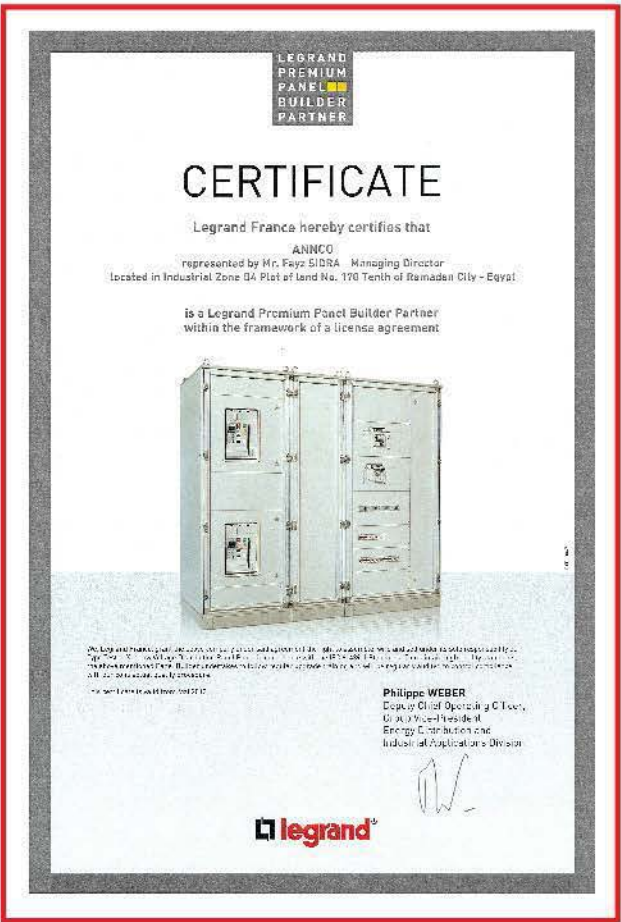
Cells



Universal Frame For Cells

The right enclosure for your environment

ANNCO is an authorized Legrand Premium Panel Builder Partner, with a license agreement to manufacture Type Tested Panels up to 6300A. Various enclosures and cabinets solutions exist to cover any type of installation. They share the same sober modern design and provide effortless cabling and deploy ability. From the 125A Cabinet to the 6300A Enclosure, **ANNCO** range fulfills all requirements for quality, strength, and attractive appearance. Using the global strength and market leading position of **Legrand**, together with **ANNCO's** manufacturing excellence, we became one of the leading panel builders in Egypt.



Design features

The universal frames were designed as a set of uprights combination allows all types of equipment, components and accessories to be assembled as per your requirements.

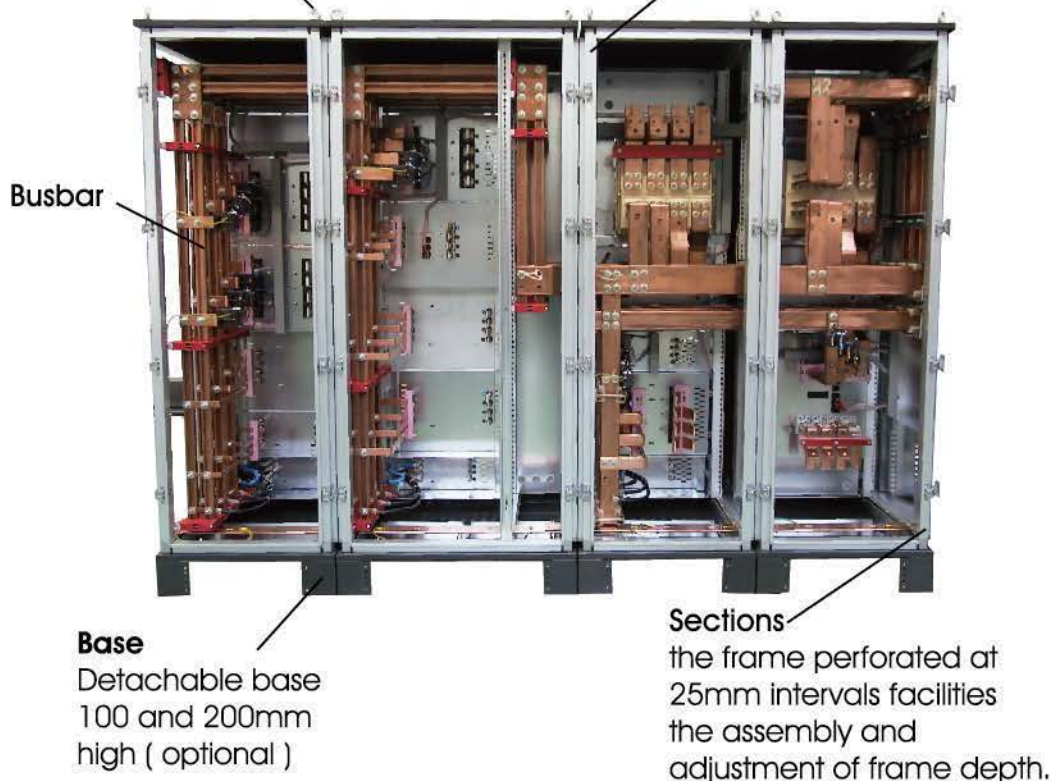
The base unit is made up of 3 profiles: vertical upright, width section and depth section Thanks to this combination, they give the Cells a robust frame with 25mm interval perforations.



Lifting rings

To be fitted directly to the body of the board (optional)

Polyester powder paint Protection against UV and against rust for maximum service life.



Base
Detachable base
100 and 200mm
high (optional)

Sections
the frame perforated at
25mm intervals facilities
the assembly and
adjustment of frame depth.

High quality
and strength

Choosing **ANNCO** metal enclosures means choosing high quality, strength, reliability and immaculate finish for which the brand is renowned. Cells have a completely welded frame made of sheet steel 1.5 mm thick. The cover and the back are welded to vertical posts of the frame making them very robust.

Code	External Dimension (L x W x D) mm
6301	1800x600x400
6302	1800x600x500
6303	1800x600x600
6304	1800x800x400
6305	1800x800x500
6306	1800x800x600
6307	1800x1000x400
6308	1800x1000x500
6309	1800x1000x600
6310	1800x1200x400
6311	1800x1200x500
6312	1800x1200x600
6313	1800x600x400
6314	1800x600x500
6315	1800x600x600
6316	1800x800x400
6317	1800x800x500
6318	1800x800x600
6319	2000x1000x400
6320	2000x1000x500
6321	2000x1000x600
6322	2000x1200x400
6323	2000x1200x500
6324	2000x1200x600



Panels can be made to order as per your requirements

Racks



ANNCO'S Professional series provides all of the features that one expects in a high end Cabinet Rack and more

Design Features

- Sturdy and durable steel construction.
- Furnished complete with ventilated tempered glass front door, locking rear door, removable sides
- Compliant for 19" mount equipment
- Two pairs of fully adjustable panel mounting rails included. The panel mounting rails include unique notch at each "U" point to allow for rapid equipment location identification
- Top mount fan box installed. Four fans for 31" depth
- Includes ventilated shelves (one shelf in the 24U high cabinet, two shelves in the 40U and 45U cabinets)
- Large cutout in base. Cutout comes covered by 2.5" deep metal cover plates that allow for adjustable opening providing as much or as little open space for cable access
- Vented at top and bottom of sides, and rear door which also can be locked.
- Comes fully assembled
- Finish: Black electrostatic powder coating – easy to clean
- Other sizes and modifications are available upon request



Part number	Item
RK-W4U-64	Rack 4U, wall mount, size (600mm*450mm) 19cm thickness 1.2mm. included (1key lock , 1fan, glass door)
RK-W7U-64	Rack 4U, wall mount, size (600mm*450mm) 33cm thickness 1.2mm. included (1key lock , 1fan, glass door)
RK-W9U-64	Rack 9U, wall mount, size (600mm*450mm) 43cm thickness 1.2mm. included (1key lock, 1fan, 1fan +upgrade 1 fan+glass door)
RK-W12U-66	Rack 12U, wall mount, size (600mm*600mm) 57cm thickness 1.2mm. included (1key lock, 1fan +upgrade 1 fan, glass door)
RK-W15U-66	Rack 15U, wall mount, size (600mm*600mm) 70cm thickness 1.2mm. included (4key lock , 2fan + 1 fixed shelf, glass door)
RK-W18U-66	Rack 18U, wall mount, size (600mm*450mm) 85cm thickness 1.2mm. included (3key lock , 1fan, glass door)
RK-R22U-66	Rack 22U, Free standing, size (600mm*600mm) 104cm thickness 1.2mm. included (4key lock, 2fan, 1fixed shelf, glass door)
RK-R27U-66	Rack 27U, Free standing, size (600mm*600mm) 127cm thickness 1.2mm. included (4key lock ,2fan, 1fixed shelf, glass door)
RK-R27U-66	Rack 27U, Free standing, size (600mm*600mm) 127cm thickness 1.2mm. included (4key lock, 4fan, 1fixed shelf, glass door)
RK-R27U-61	Rack 27U, Free standing, size (600mm*1000mm) 127cm thickness 1.2mm. included (4key lock, 4fan, 1fixed shelf, venteddoor)
RK-R42U-66	Rack 42U, Free standing, size (600mm*600mm) 198cm thickness 1.2mm. included (6key lock, 2fan, 1fixed shelf, glass door)
RK-R42U-68	Rack 42U, Free standing, size (600mm*800mm) 198cm thickness 1.2mm. included (6key lock ,4fan, 1fixed shelf, glass door)
RK-R42U-61	Rack 42U, Free Standing, Size (600mm*1000mm) 198cm thickness 1.2mm . included (6key lock, 4fan, 1fixed shelf, vented door)

RK-R42U-81	Rack 42U, Free Standing, Size (800mm*1000mm) 198cm thickness 1.2mm. included (6key lock, 4fan,1fixed shelf vented door)
RK-R42U-81-B	Rack 42U, Free Standing, Size (800mm*1000mm) 198cm thickness 1.2mm. included (6key lock ,4fan, 4fixed shelf ,2organizers (vertical) free vented&glass door)
RK-R42U-81-B2	Rack 42U, Free Standing,Size (800mm*1000mm) 198cm thickness 1.2mm. included 6key lock, 8fan,1fixed shelf,1sliding shelf, 2organizers xvertical , 3organizers(horizontal) vented&glass door)
RK-W7U-64-OD	Rack 7U, Outdoor Wall Mount Size (600mm*450mm) 35cm thickness 1.5mm. included (1key lock) IP rating55, solid door
RK-W9U-64-OD	Rack 9U, Outdoor Wall Mount size (600mm*450mm) 45cm thickness 1.5mm. included (1key lock) IP rating55, solid door
RK-W12U-64-OD	Rack 12U, Outdoor Wall Mount size (600mm*450mm) 57cm thickness 1.5mm. included (1key lock) IP rating55, solid door

Accessories

Part number	Item
RK-SH-F64	Fixed Shelf 450-600 (wall mount)
RK-SH-F66	Fixed Shelf 600-600 (wall mount)
RK-SH-F66	Fixed Shelf 600-600
RK-SH-F68	Fixed Shelf 600-800
RK-SH-F61-81	Fixed Shelf 600/800-1000
RK-SH-S68	Sliding 600/800
RK-SH-S61-81	Sliding 600/800-1000
RK-ORG-1U	Cable Organizer 1U
RK-FAN-R	Fan Rack
RK-BL-1U	Blank Rack 1U
RK-BL-2U	Blank Rack 2U
RK-BL-3U	Blank Rack 3U
RK-lamp-1U	Light Lamp
RK-them-1U	Themometer1U
RK-PW-6U-SW	Power Strip 6 Outlet 16A- 350Watt (PDU6 outlet)
RK-PW-9U-SW	Power strip 9 Outlet 16A- 350Watt (PDU9 outlet)

Floor Boxes



ANNCO CB12

ANNCO floor box CB12

Incorporates a number of significant features designed to make installation quicker and easier while maintaining its competitive price point.

1- Simple flooring inlay shape

Strong steel hinged lid complete with 3 sturdy steel cable outlets that fix in the open position to protect cables.

The recessed lid permits carpet or tiles to be installed into the lid to discretely merge it with its surroundings.

2- Push fit steel back box

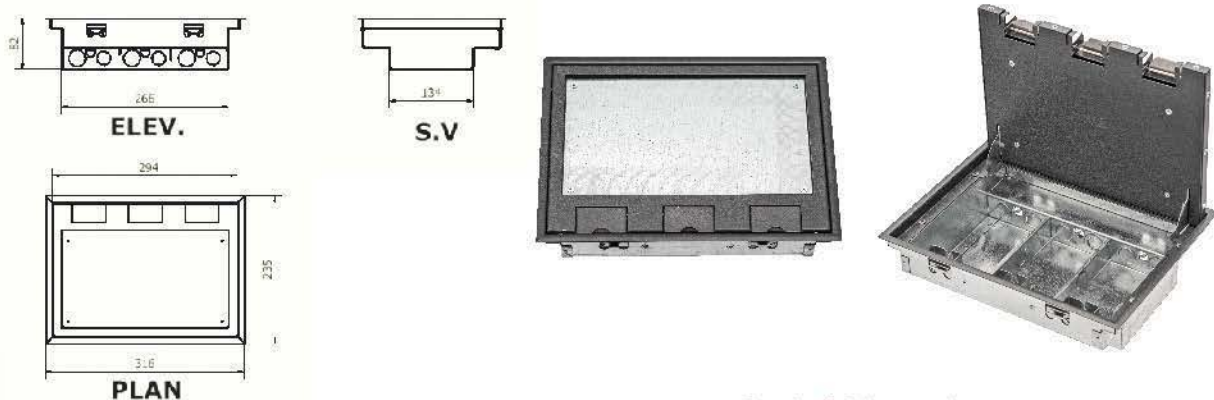
push fit steel back box fits into the floor even quicker than before.

3-Multi- size knockouts

20/25mm knockouts in each compartment for cabling flexibility.

4-Easy fitting of wiring accessories

Each compartment accepts artoer wiring accessories upto 4 modules for a total of 12 modules, using 3 legrand supports cat. No.730094



Material. : Galvanized Sheets 1mm
Knockout. : (6) 18mm/ 27mm & (6) 22mm
Earth. : Copper 6x10mm

Code	Dimensions
CB 12	220x300x82mm

Special custom made floor boxes:



ANNCO can manufacture customs made floor boxes to fulfill all your power and data requirements.

Special materials example stainless steel can also be used.

Flush Mounting Steel Boxes



Dimensions:

1 gang, flush 70x70mm

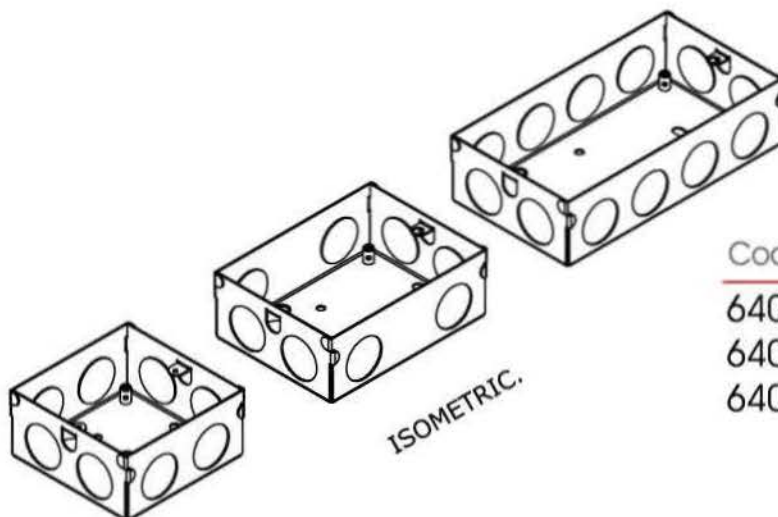
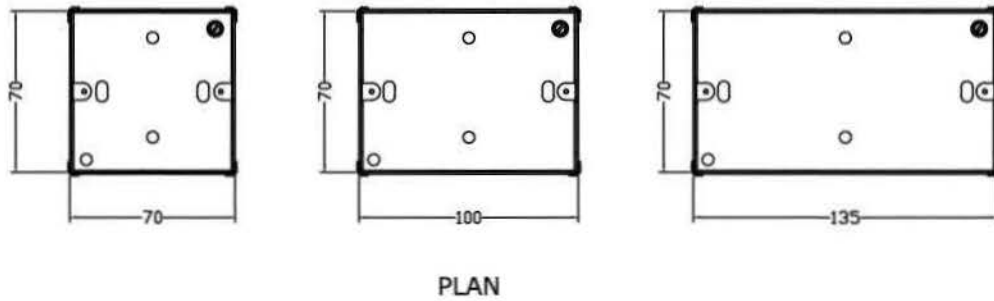
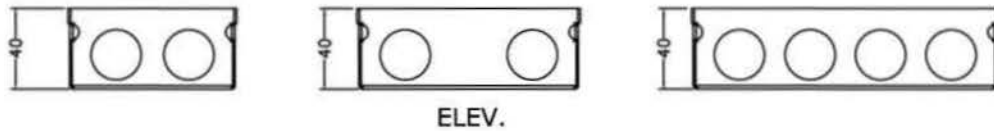
1 gang, flush 70x100mm (italian standard)

2 gang, flush 70x135mm

Material.: Galvanized steel 1.2mm

Knockout.: (8) 18mm/27mm

Earth.: copper 7x10mm



Code	Description
6402	70x70mm
6403	70x100mm
6404	70x135mm

Weather Proof Outdoor



Weather Proof - Fluorescent Units

Description:

The body is realized through injection printing in self-extinguishing (V2), unbreakable polycarbonate 7035 RAL grey colour, internally to obtain a high mechanical resistance. The fixing pins of the / wiring plate is in self-extinguishing (V2), unbreakable polycarbonate it turns by 90° for a quick, safe hooking / unhooking of the plate. Closing clips which are impossible to lose in stainless steel for opening and hooking the diffuser. Anti-ageing gasket in expanded polyurethane directly injected in its place. Diffuser printed by injection in transparent, self-extinguishing (V2) unbreakable polycarbonate stabilized to U.V. rays (to avoid its turning yellow) with prisms inside to obtain a homogeneous diffusion and a high light output. Reflecting plate with the electrical accessories in Galvanized steel, previously painted in white with Polyester powders, stabilized to U.V. rays, fastened via anti-fall nylon strings to body. Normal wiring factor corrected for 230V - 50 Hz Supply, terminal block in polycarbonate, 2poles + earth 2.5 mm² rigid wiring in compliance with the IEC standards. (section 0.75 mm²). G 13 lampholder in polycarbonate. The fixture is mass-produced, in compliance with the actual E.C. regulations. CEL 34-21 (EN 60598-1) CEL 34-21 (EN 90598-2-1) Protection degree IP 65 Led Lamps can be applied upon your request.

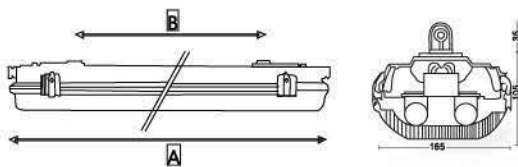
Closing stainless steel clip for blocking, and fast-opening the diffuser.

Weather proof fixture for fluorescent lamps, having a very high degree of protection against water and dust (IP 65) in self-extinguishing (V2) polycarbonate.

It is highly resistant to corrosive substances and suited to damp, aggressive environment.



mm	w	1/2x 18W	1/2x 36W	1/2x 58W
A		646	1257	1557
B		390	900	900



FLS 65/PC 1/2X 18 - 36 - 58W

Maximum surface temperature during normal operation in 90°C (CEI - EN 60598 - 1 standard, par. 12.4)

Maximum surface temperature class in case of fault T3 (CEI . EN60598 - 1 standard, par. 12.5 and CEI 31 - 8 standard, par . 3.8 note 1)

Power & Types of Lamps	Wiring	No Hooks	Dimensions		Weight kg	Code
			A mm	B mm		
1 x 18W	CNR+	6	660	390	1.70	395.02.1.3
1 X 36W	CNR+	8	1270	900	2.40	396.06.1.3
1 X 58W	CNR+	10	1570	900	3.50	397.08.1.3
2 X 18W	CNR+	6	660	390	2.10	398.10.1.3
2 X 36W	CNR+	8	1270	900	3.80	399.12.1.3
2 X 58W	CNR+	10	1570	900	5.30	400.14.1.3

Indoor-Lighting Fixtures



Indoor - Fluorescent Units

Model Kalina

Classification: Commercial and residential indoor lighting fixture. Ideal for mosques, shops, Homes, etc.

Body: Pre-treated CRS sheet painted stove enameled white color. other colors available upon request.

Light Control: Material made up of U.V stabilized general purpose polystyrene plastic with strips on inner surface. Available in clear or milky opal finish. The diffuser can be easily mounted or dismounted by slightly tilting either of the 2 end piece outward.

Rated Voltage and Frequency: 220VAC 50Hz

Mounting: For surface mounting on ceiling wall.

Cod	Description	Color
7401	Flood Light Kalina 2x18 W	White
7402	Flood Light Kalina 2x18 G	Gold
7403	Flood Light Kalina 2x18 S	Silver
7404	Flood Light Kalina 2x36 W	White
7405	Flood Light Kalina 2x36 G	Gold
7406	Flood Light Kalina 2x36 S	Silver
7407	Flood Light Kalina Electronic 2x36W	White
7408	Flood Light Kalina 3x36 W	White
7409	Flood Light Kalina 3x36 G	Gold
7410	Flood Light Kalina 3x36 S	Silver
7411	Flood Light Kalina 3x36 B	Brown
7412	Flood Light Kalina Electronic 3x36W	White



Model Dan

Classification: Commercial and residential indoor lighting fixture.

Ideal for mosques, shops, Homes, etc.

Body: Pre-treated CRS sheet painted stove enameled white color. other colors available upon request.

Light Control: Material made up of U.V stabilized general purpose polystyrene plastic with strips on inner surface. Available in clear or milky opal finish. The diffuser can be easily mounted or dismounted by slightly tilting either of the 2 end piece outward.

Rated Voltage and Frequency: 220VAC 50Hz

Mounting: For surface mounting on ceiling wall.

Code	Description	Color
7501	Flood Light Dan 2x36 W	White
7502	Flood Light Dan 2x36 B	Beige
7503	Flood Light Dan 2x36 S	Silver
7504	Flood Light Dan 3x36 W	White
7505	Flood Light Dan 3x36 B	Brown
7506	Flood Light Dan 3x36 S	Silver



Outdoor-Lighting Fixtures

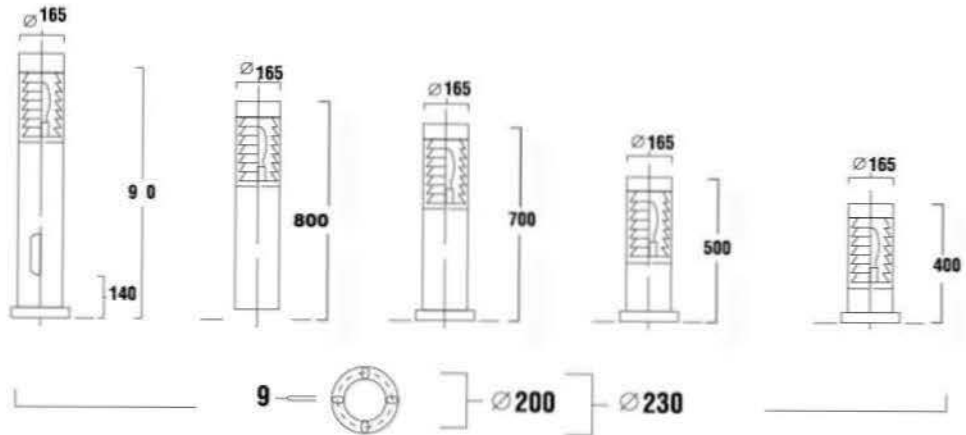


Bollards

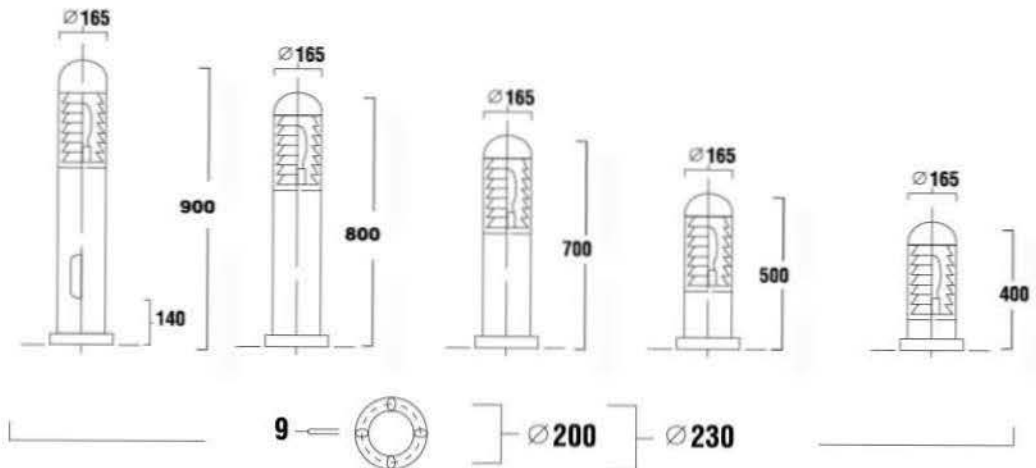
Applications:

Out door lighting fixture suitable for private and public areas, hotel premises, touristic resorts parks pedestrian walkways ... Etc.

Flat Shape



Round Shape



Height (40cm, 50cm, 60cm, 70cm, 80cm, 90cm)
(Other heights upon request)

Body:

Made from die cast aluminum treated and painted with electrostatic power coating for high corrosion resistance. Painted in black, green and white. (Other colors upon request)

Diffuser & Reflector:

Cylindrical diffuser made from clear polycarbonate. UV - stabilized and vandal resistant. Diffuserwall thickness 8 mm. Weatherproof and rubber gaskets to protect it against water and dust. The reflector is made of iodized high purity aluminum.

Mounting:

At base by 4 anchor bolts from stainless. A cover is fixed on the base to give a clean finish and to prevent water from reaching the anchor bolts.

Light Source:

1 X 100W E27 INC
1 X 32W FLC
1 X 70W MH
1 X 70W HPS

Protection degree IP66

Code	Description	External Dimension (D x L) mm
7240	Bollard Round 40 cm	165 x 400
7250	Bollard Round 50 cm	165 x 500
7270	Bollard Round 70 cm	165 x 700
7280	Bollard Round 80 cm	165 x 800
7290	Bollard Round 90 cm	165 x 900
7340	Bollard Flat 40 cm	165 x 400
7350	Bollard Flat 50 cm	165 x 500
7370	Bollard Flat 70 cm	165 x 700
7380	Bollard Flat 80 cm	165 x 800
7390	Bollard Flat 90 cm	165 x 900

Weather Proof - Wall Mounted Units

Classification: Walkaway or perimeter outdoor lighting fixture ideal for gardens, parks, commercial premises and others.

Body: Housing is made of two (2) parts die cast aluminum pre-treated, painted and stove enamelled in dark bronze color. other colors available upon request.

Light Controller: AGE clear prismatic pattern moulded heat resistant glass diffuser.

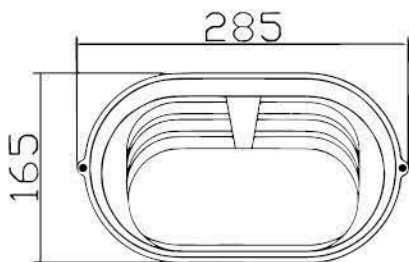
Cable Entries: Side or back cable entry holes.

Rated Voltage and Frequency: 220VAC 50Hz.

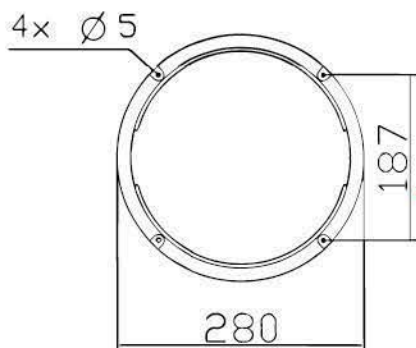
other voltage/frequency upon request.

Control Gear: High Power Factor.

Mounting: Wall mounting.



Code	Description
7601	Wall Lamp



Code	Description
7701	Ceiling Lamp

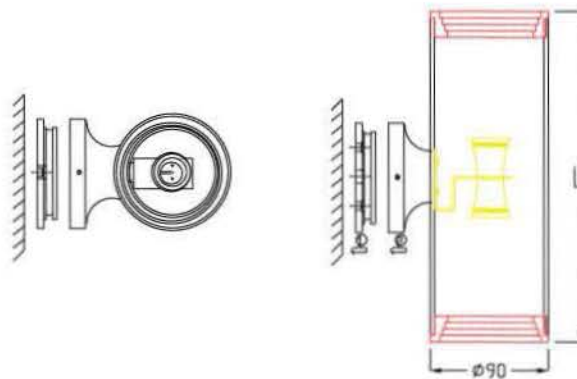


Model Mark

Product Specifications:

This is a spotlight with a cylindrical lampshade. It boasts an aluminum construction for enhanced durability. This spotlight is reliable and easy to install, making it a great item for cabinets, shopping malls and more.

- Material: Aluminum.
- Available in different designs.



Code	Internal Dimensions (mm)	
	L	D
MK 7001	205	90
MK 7002	235	90
MK 7003	255	90



Product Specifications:

This is an outdoor wall lamp with a globe lampshade and an aluminum lamp base. The refined cutting showcases a touch of sophistication. This outdoor wall lamp makes a great item to add an enchanting glow of light to your outdoor living space.

- Material: Aluminum.
- Available in different designs.

Code	Description
7901	Fences Lamp

Lighting Columns



This floor lamp with its contemporary look can come in different colours. It has a globe lampshade and a polygonal lamp base. This floor lamp makes an excellent item to bring a relaxing atmosphere to your home.

- Material: Aluminum.
- Available in different designs.

Size of lamps lade, 25 cm , 30 cm

Code	Description
7801	Lighting Column

Sales Dept. :13 El Montaza St. Heliopolis, Cairo, Egypt.

Tel. / Fax : +(202) 206 702 25 - +(202) 206 702 09

Mob : +(2) 012 2000 1329

Email : info@sidragroup.com

www.sidragroup.com

Factory : Industrial Zone B4, 10th of Ramadan City, Egypt.

Tel. / Fax : +(205) 545 011 76 - 545 011 77